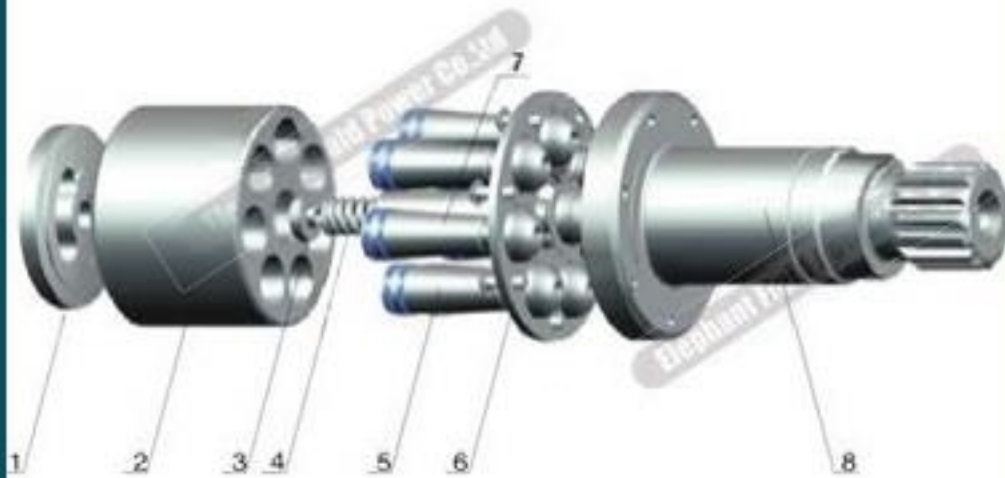


REXROTH BENT PUMP/力士乐系列斜轴泵

11



A2FO10~500

NO. 序号	Description 部件名称	Quantity/Set 数量/台
1	Valve Plate (配油盘)	1
2	Cylinder Block (缸体)	1
3	Spring Set (弹簧密封)	1
4	Spring (弹簧)	1
5	Piston Shoe (柱塞滑靴)	7
6	Retainer Plate (回程盘)	1
7	Center Pin (中心柱塞)	1
8	Drive Shaft (传动轴)	1