



---

HPS 20

---

HPS 25

---

HPS 25 W

## HPS Technical Data

Hand pallet truck



HPS 25



With its capacity of 2,000 kg the HPS 20 is the ideal hand pallet truck for a wide range of uses in warehouse, factory and business. The HPS 25 with a capacity of 2,500 kg offers quick lift as standard for more efficient working.

### Tiller.

- The ergonomically shaped handle is optimally designed for fatigue free operation.
- The tiller has a maximum steering angle of  $103^\circ$  to the left and to the right. This makes the HPS 20/25 very manoeuvrable in tight spaces, e.g. when loading and unloading lorries.
- The reinforced tiller base provides high stability and a longer service life.

### Frame.

The robust steel structure has a rigid design for arduous applications.

### Hydraulics.

- The hydraulic block is made from a single casting, designed for longevity.
- An overload valve protects the pump against overloading.
- Precise lowering control.
- Thanks to the Quick lift function, loads up to 200 kg, can be raised to the maximum lift height in half the time with the HPS 25.

### Wheels and tyres.

- Nylon tyres for low rolling resistance and low steering effort.
- Polyurethane tyres for low running noise and low steering effort.
- Solid rubber tyres for soft, quiet running and optimal traction.
- Tandem load rollers permit easier running on uneven floors.
- Additional entry and exit rollers for easier access into pallets.

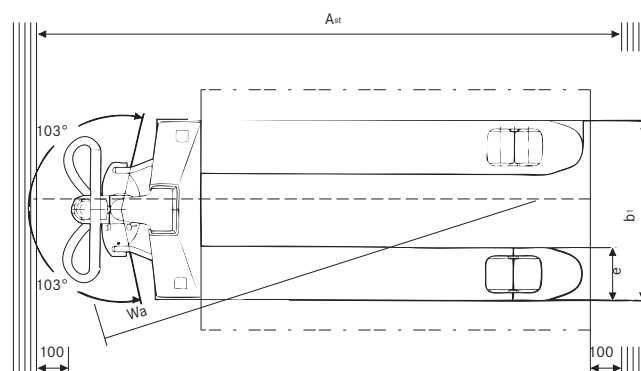
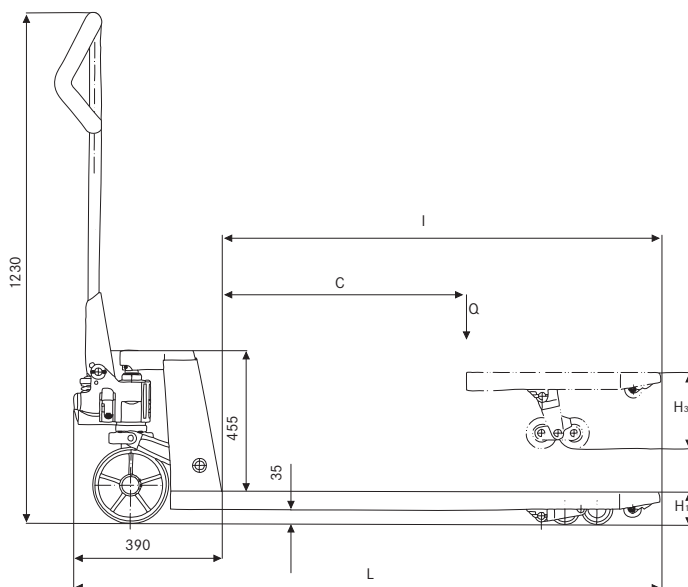
### Standard equipment and options.

Steering wheel	Load rollers	HPS 20	HPS 25
Nylon	Nylon-single	S	-
Nylon	Nylon tandem	-	S
Polyurethane	Polyurethane-single	O	O
Polyurethane	Polyurethane-tandem	O	O
Solid rubber	Polyurethane-single	-	O
Solid rubber	Polyurethane-tandem	O	O
Entry and exit rollers		S	S
Quick lift up to 200 kg		-	S

S = Series / O = Option

Technical data and equipment			HPS 20	HPS 25
Capacity	Q	kg	2000	2500
Truck weight		kg	69,5	70
Standard fork length	l	mm	1150	1150
Load centre	c	mm	600	600
Overall length	L	mm	1540	1540
Steering wheels	$\emptyset$	mm	200 x 50	200 x 50
Tandem load rollers	$\emptyset$	mm	80 x 70	80 x 70
Single load rollers	$\emptyset$	mm	80 x 93	80 x 93
Turning radius	$W_a$	mm	1335	1335
Working aisle width	$A_{st}$	mm	1790	1790
Width over forks	$b_1$	mm	520	520
Fork width	e	mm	160	160
Lowered height	$h_{13}$	mm	85	85
Lift height	$h_3$	mm	200	200

This sheet gives the technical figures for the standard truck. Different tyres, other auxiliary equipment, etc. (if mentioned in the quotation), could give different figures.



HPS 25 W



Technical Data and equipment			HPS 25 W
Capacity	Q	kg	2500
Truck weight		kg	107
Standard fork length	l	mm	1150
Load centre	c	mm	600
Overall length	L	mm	1580
Steering wheels	ø	mm	180 x 50
Single load rollers	ø	mm	-
Tandem load rollers	ø	mm	70 x 70
Turning radius	W <sub>a</sub>	mm	1375
Working aisle width	A <sub>st</sub>	mm	1835
Width over forks	b <sub>1</sub>	mm	555
Fork width	e	mm	180
Lowered height	h <sub>13</sub>	mm	90
Lift height	h <sub>3</sub>	mm	210

This sheet gives the technical figures for the standard truck. Different tyres, other auxiliary equipment, etc. (if mentioned in the quotation), could give different figures.

The flexible weighing truck HPS 25 W is designed to both transport goods and weigh them.

### Tiller.

- Ergonomically shaped for untiring work.
- maximum steering angle of 103° to the left and right for optimal maneuverability.
- High stability due to reinforced tiller base.

### Frame.

- The robust steel structure has a rigid design for arduous applications.

### Wheels and tyres.

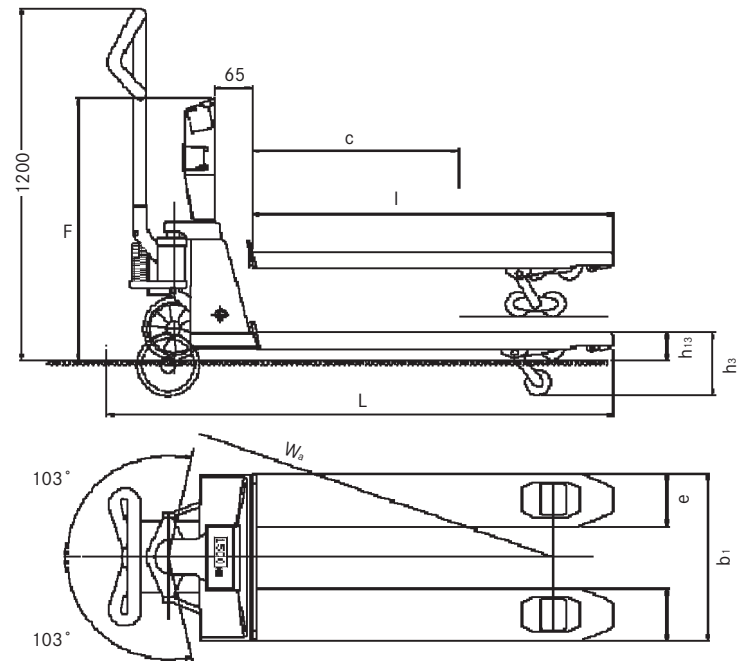
- Solid rubber steering wheels for soft, quiet running and optimal traction.
- Standard tandem load rollers for low contact pressure and easy running on uneven floors.

### Weighing equipment.

- Very precise weighing machine: 0.1% maximum deviation from the weighed weight.
- Display graduation: 1 kg (multi-range display optional).
- Functions: Gross / Net weighing, taring by pushing a button, tare weight pre-entry, adding memory with consecutive numbering.
- Automatic and manual zeroing.
- Permanently ready for use thanks to easily replaceable battery module.
- Large, easy to read display.
- Battery charger included in the scope of equipment.

### Options.

- Multirange display:
  - 0 – 200 kg: graduations 0,2 kg
  - 200 – 500 kg: graduations 0,5 kg
  - 500 – 2500 kg: graduations 1,0 kg
- Item counting by means of entry/calculation of unit weight
- Calibrated version
- Built-in printer
- Entry of 5-digit codes
- Date and time function





# comitas

КОМПЛЕКСНАЯ АВТОМАТИЗАЦИЯ  
ИНДУСТРИАЛЬНЫХ ТЕРМИНАЛОВ

Официальный диллер STILL GmbH в России

Тел.: 8-800-50-55-020

Москва, Авангардная 3,  
офис № 1507

[www.comitas.ru](http://www.comitas.ru)  
[info@comitas.ru](mailto:info@comitas.ru)



FSC  
[www.fsc.org](http://www.fsc.org)  
MIX  
Paper from  
responsible sources  
FSC® C009482

first in intralogistics