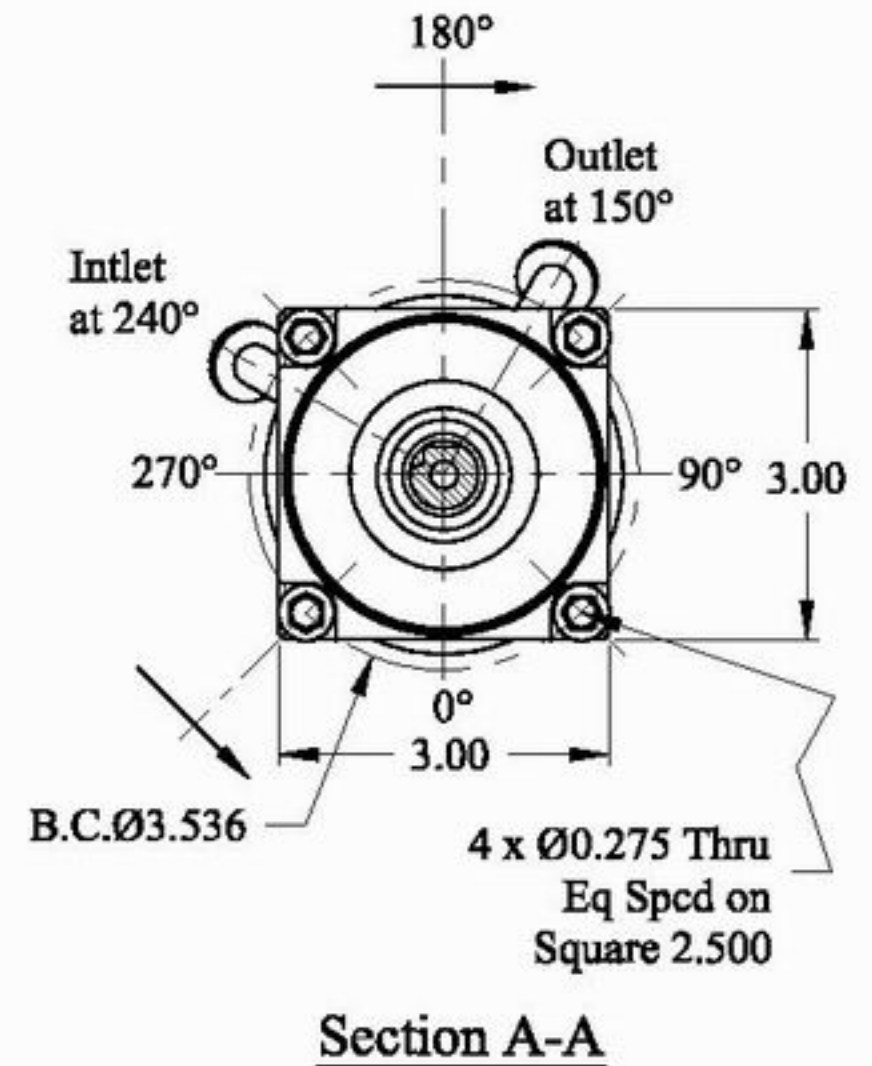
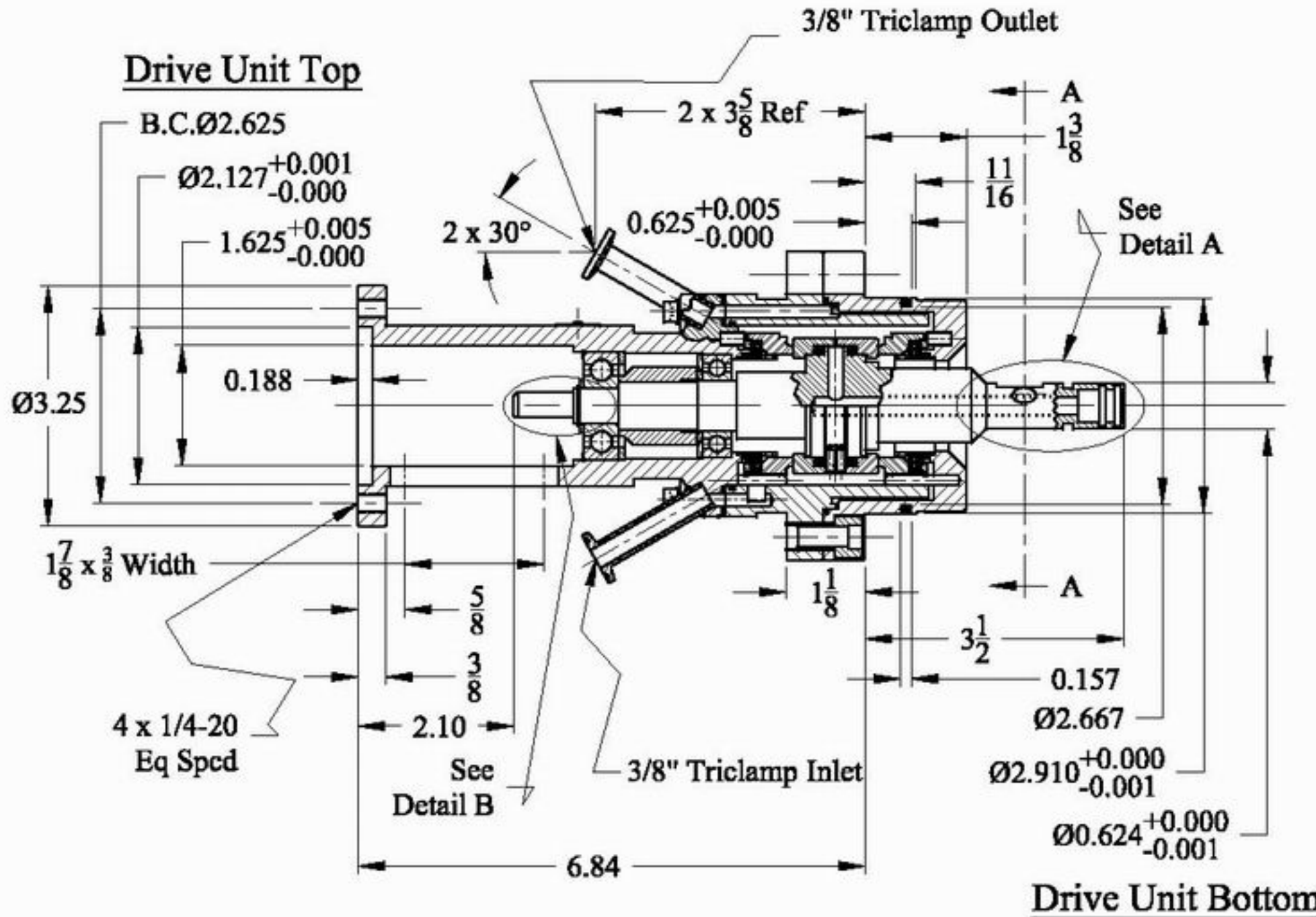


LTR	USE	DESCRIPTION	DATE	APPROVED
-----	-----	-------------	------	----------



WARNING
Do not use mineral grease for o-rings.
Use Silicon based grease Molykote 111 Only

USED ON	NBS BioReactor
NEXT ASSEMBLY	NBS BioReactor
MATERIAL	
PROCESS	

DIMENSIONS IN inches

Unless Otherwise Specified

- 1) Corners & fillets 0.003-0.015 R
- 2) Tolerance: .xx: ±0.01, .xxx: ±0.005, Angles: ±0.5°
- 3) All diameters concentric within 0.005 TIR
- 4) All faces parallel within 0.005 TIR
- 5) All faces square to all diameters within 0.005 TIR
- 6) Surface finish 125 RMS or smoother

ETTEM ENGINEERING S.A. LTD

אמת הנדסה ומכניקה

ISRAEL

Drive Unit

DESCRIPTION

P/N	DU00537	REV
SHEET	1 OF 3	APPROVED
SCALE: None	DRAWN: RAS	DATE: 8/5/2007

DATA RIGHTS

This document contains information proprietary to ETTEM ENGINEERING. Neither receipt nor possession thereof confers any right to reproduce, use, or disclose, in whole or in part, any such information without written authorization.