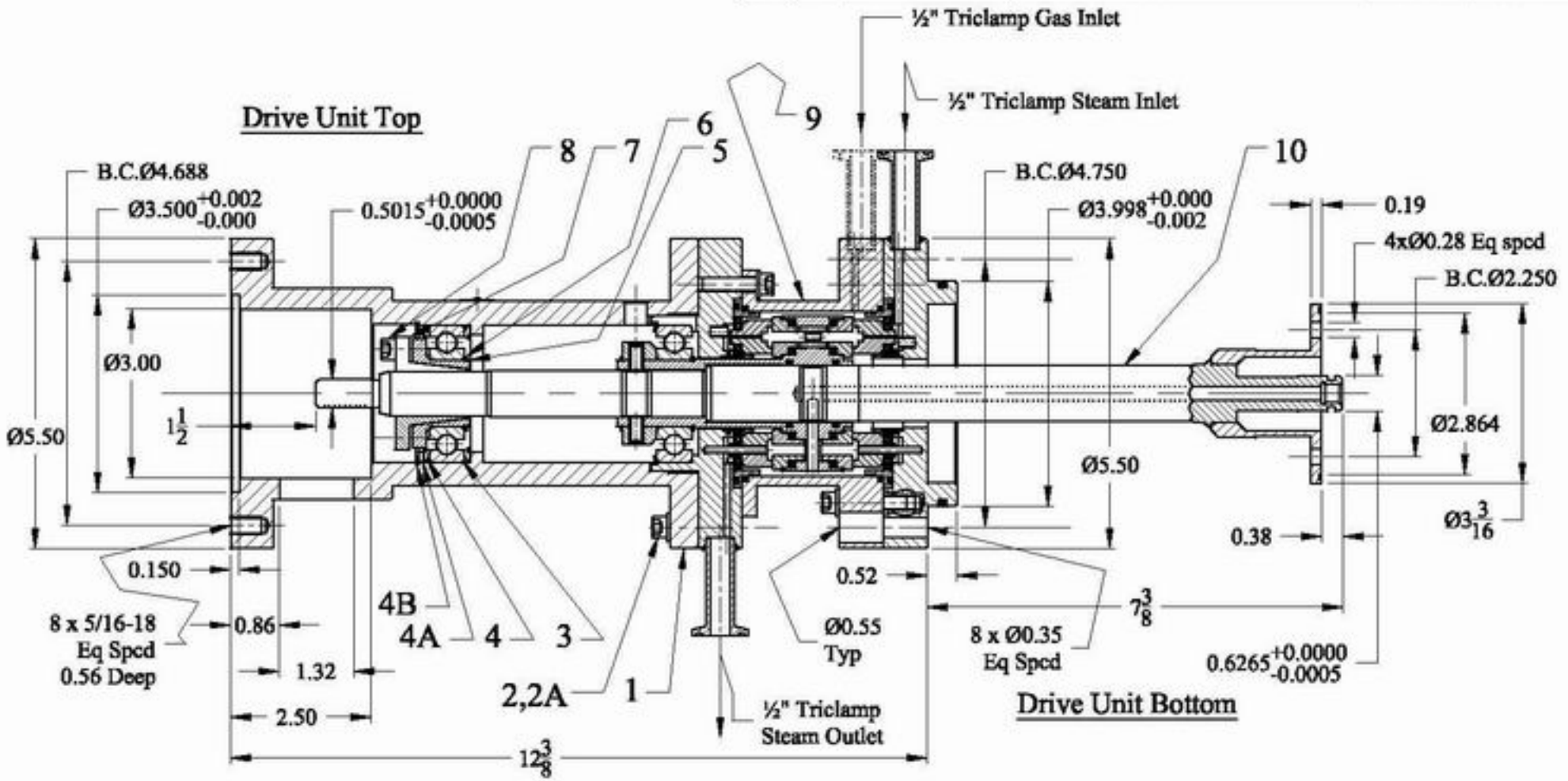




REVISIONS

LTR	USE	DESCRIPTION	DATE	APPROVED
A	N	Steam outlet/inlet positions reversed.	20/10/2006	RAS



WARNING
Do not use mineral grease for o-rings.
Use Silicon based grease Molykote 111 Only

USED ON	NBS BioReactor
NEXT ASSEMBLY	NBS BioReactor
MATERIAL	
PROCESS	

DIMENSIONS IN inches
Unless Otherwise Specified

- 1) Corners & fillets 0.003-0.015 R
- 2) Tolerance: .xx: ±0.01, .xxx: ±0.005, Angles: ±0.5°
- 3) All diameters concentric within 0.005 TIR
- 4) All faces parallel within 0.005 TIR
- 5) All faces square to all diameters within 0.005 TIR
- 6) Surface finish 125 RMS or smoother



Drive Unit

DESCRIPTION	
P/N	DU00088M4
REV A	
SHEET 1 OF 3	APPROVED
SCALE: None	DRAWN: RAS
DATE: 13/9/2006	

DATA RIGHTS
This document contains information proprietary to ETTEM ENGINEERING. Neither receipt nor possession thereof confers any right to reproduce, use, or disclose, in whole or in part, any such information without written authorization.