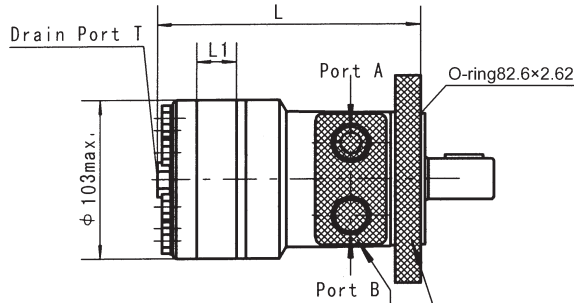


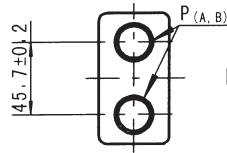


## BMRS DIMENSIONS AND MOUNTING DATA

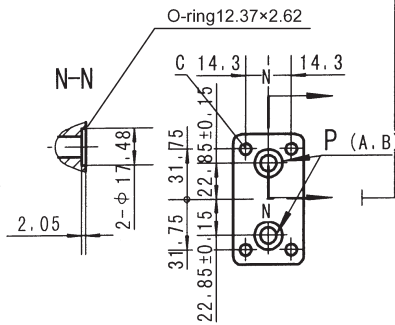
### MOUNTING



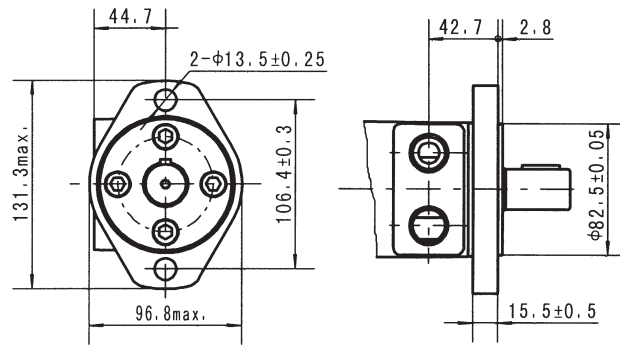
PORT: G, S, P, R, M1, M2, M3



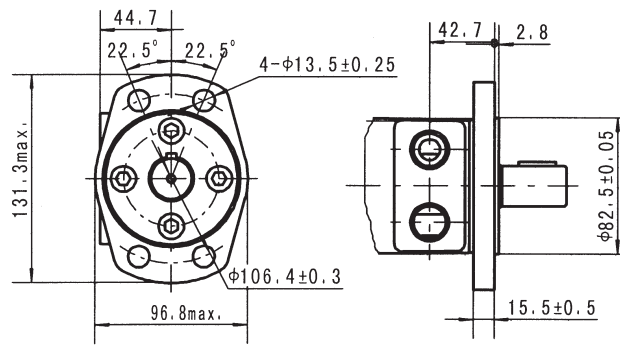
PORT: B4, B5



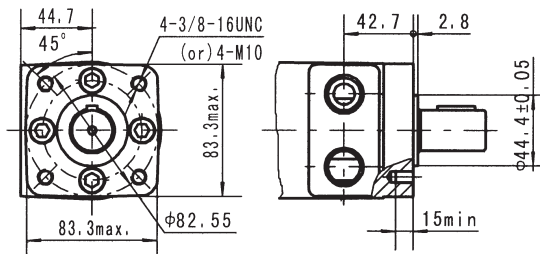
Flange H2



Flange H6



Flange H4/H5



Model	L	L1
BMRS36	143	7
BMRS50	146	10
BMRS80	152	16
BMRS100	156	20
BMRS125	161	25
BMRS160	166.5	30.5
BMRS200	174	38.1
BMRS250	186	50
BMRS315	198	62
BMRS375	210	74

Note: The size L of the BMRS N1 should be increased by 2mm.

Code Mounting	G (depth)	S (depth)	P (depth)	R (depth)	M1 (depth)	M2 (depth)	M3 (depth)	B4 (depth)	B5 (depth)
P(A,B)	G1/2 (15)	7/8-14 O-ring (17)	1/2-14NPTF (15)	PT(RC)1/2 (15)	M18 x 1.5 (15)	M20 x 1.5 (15)	M22 x 1.5 (15)	ø10	ø10
T	G1/4 (12)	7/16-20UNF (12)	7/16-20UNF (12)	PT(RC)1/4 (9.7)	M10 x 1 (12)	M10 x 1 (12)	M10 x 1 (12)	7/16-20UNF(12)	G1/4(12)
C	-	-	-	-	-	-	-	4-5/16-18UNC(13)	4-M8(13)