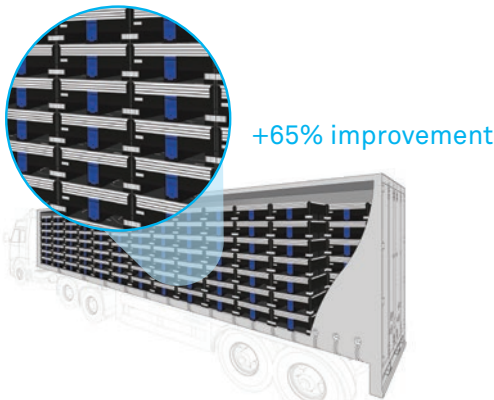


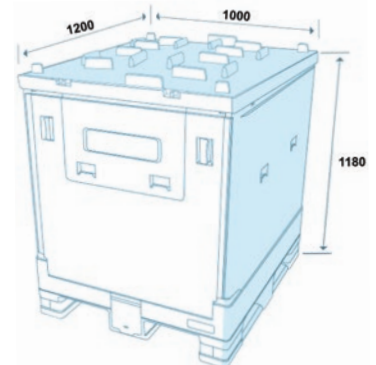
SPECIFICATIONS



Up to 182 folded units vs 110 for other plastic IBCs



Seven folded units can be loaded into one truck/sea container space



1200x1000 standard pallet footprint compatible with European storage and conveyor systems

External size with lid	1200x1000x1180mm	Volume	1040 Litres
External size without lid	1200x1000x1150mm	Maximum usable volume	1020 Litres
Internal size	1130x930x985mm	Recommended usable volume	1000 Litres
Folded height with lid	375mm	Folded ratio	3.5
Drop door size	570x400mm	Shipping temperature	-20 to +40 °C
Erected Stacking height with lid	Two containers 2335mm, Three containers 3490mm	Maximum filling temperature	70 °C
Weight	99kg	Material	Steel reinforced polypropylene
Standard Trailer (2.6m)	182pcs	Stacking quantity in 2.6M truck	7
Mega Trailer (3m)	208pcs	Stacking quantity in 3M truck	8
Mega Road Train (3m)	240pcs	20' GP	60pcs
Load capacity	1400kg	40' GP	126pcs
Maximum dynamic load capacity	3000kg	40' HQ	147pcs
Maximum static load capacity	7500kg		

CHEP Pallecon Solutions

European Head Office
Unit 1, Doranda Way
West Bromwich, B71 4LE
United Kingdom
Telephone: +44 (0)121 525 6060
Fax: +44 (0)121 525 2442

France

T : +33 558 418 682
F : +33 558 418 556

Germany

T : +49 211 3003 370
F : +49 211 3003 155

Italy

T : +39 029 406 480
F : +39 029 492 1073

Netherlands

T : +31 316 768 999
F : +31 316 768 997

Spain

T : +34 93 516 5400
F : +34 93 891 3182

UAE

T : +971 4 457 5300
F : +971 4 447 0357

palleconsolutions@chep.com
www.chep.com/pallecon

A Brambles Company